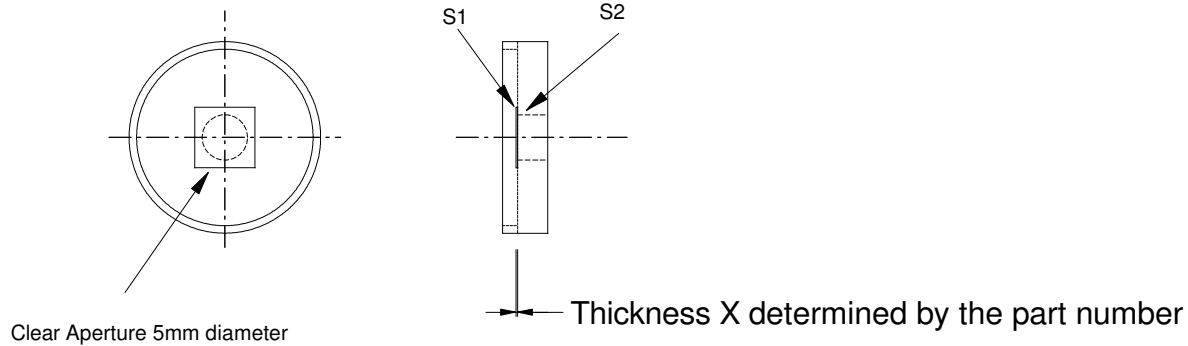


# Silicon Etalon 8mm x 8mm in 1" dia mount

REVISIONS			
REV	REVISED PER	Date	Approved
A	first release	2010 May 7	JHH



Part Number	Thickness, A	Tolerance
OP-4711-X	X	± 0.002mm

**Notes:**

1. S1 and S2 flat to  $\lambda/10$  at 633 nm, parallel within 5 arc seconds.
2. S1 and S2, scratch dig 10-5
3. Single crystal silicon.
4. Uncoated.

<b>LightMachinery OP-4711</b>	
dimensions mm	material Silicon
<b>Tolerances (unless otherwise noted)</b> X ±0.5                      A ±1° X.X ±0.1                    A.A ±0.1° X.XX ±0.025	
Drawing Template QT-730-002-C	Scale 1:1 Third angle projection
This design and print is the property of LightMachinery, Inc., and shall not be used as the basis for the manufacture or sale of apparatus without the written permission of LightMachinery, Inc.	